

Surface Pumping Systems for Oil & Gas Applications



Benefits

- Lower initial and whole-life cost
- Low maintenance costs
- Short construction lead-times
- Increased reliability and runtime
- Low noise and vibration levels
- Easy installation
- Remote monitoring and control
- Worldwide support

Applications

- CO₂ injection/booster
- CO₂ sequestration
- Crude oil boosting/ transfer
- Lean amine circulation
- Pipeline booster
- Produced water disposal
- Produced water injection
- Pipeline Pumps (NGL & Oil)



imagination at work

11104 W. Airport #220, Stafford, TX. 77477
Phone: 281-407-0799
www.m4equipment.com

SPS™ Surface Pumping Systems



Benefits

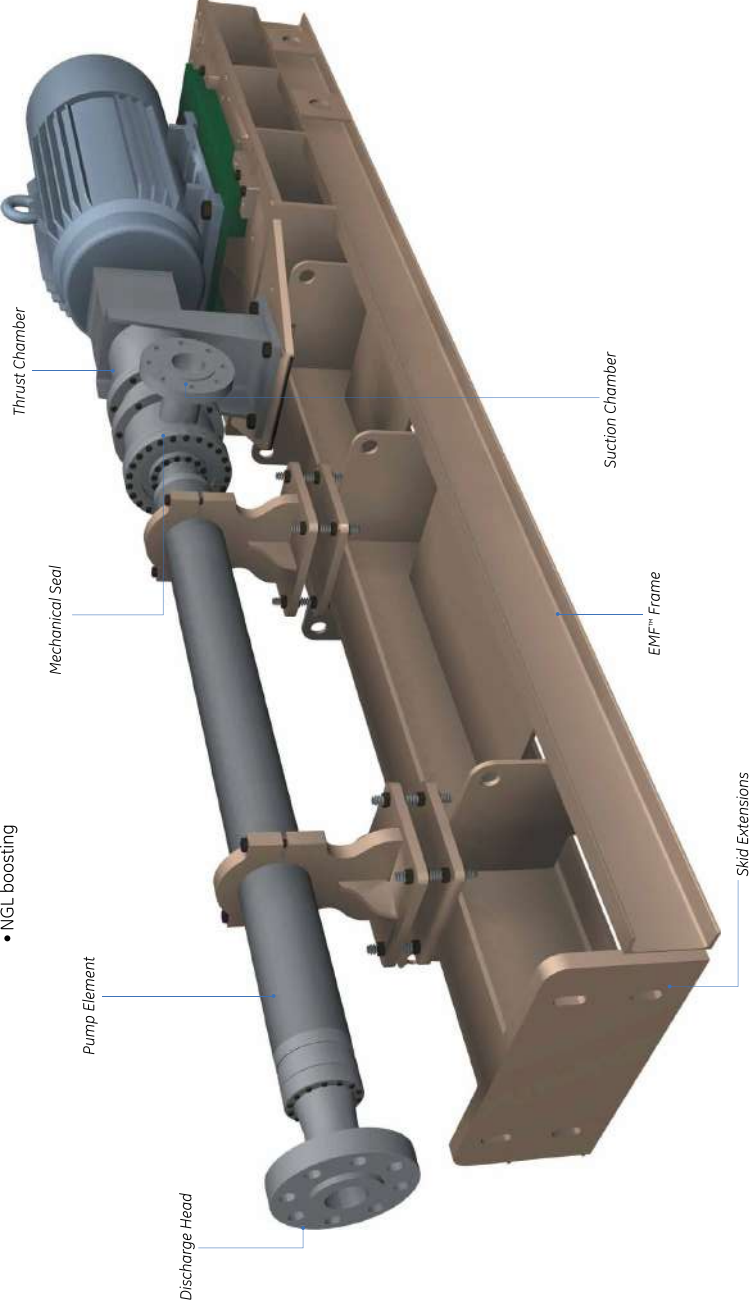
- Lower initial and whole-life cost
- Low maintenance costs
- Short construction lead-times
- Increased reliability and runtime
- Low noise and vibration levels
- Easy installation
- Remote monitoring and control
- Worldwide support

Applications

- CO₂ injection/booster
- CO₂ sequestration
- Condensate transfer
- Crude oil boosting/transfer
- Dust suppression
- Geothermal
- Hydraulic power fluid boosting
- Jet pumping
- Lean amine circulation
- Mine dewatering
- NGL boosting
- NGL transfer
- Offshore facilities fluid handling
- Pipeline booster
- Process fluids transfer
- Produced water disposal
- Produced water injection
- Salt dome leaching
- Seawater disposal/waterflooding
- Wash water circulation
- Water transfer

Performance Highlights

- Flows to 3200gpm / 110,000bpd
- Horsepower to 2500hp
- Pressures to 10,000 psi
- Temperatures to 450F
- Full Function Testing on Every Skid
- Shop test on every Thrust Chamber
- Machined motor pads
- FEA analysis on every skid
- Each skids has front & back pullout design
- Finned Thrust Chamber to reduce temp



imagination at work

11104 W. Airport #220, Stafford, TX. 77477
 Phone: 281-407-0799
 www.m4equipment.com